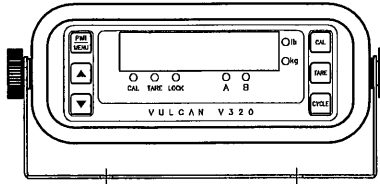


TECHNICAL DATA FURNISHED HEREIN SHALL NOT BE RELEASED, USED, DUPLICATED, OR DISCLOSED IN WHOLE OR IN PART FOR MANUFACTURE OR PROCUREMENT WITHOUT THE WRITTEN PERMISSION OF STRESS-TEK, INC.

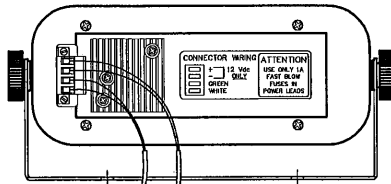
MOUNT V320 METER
IN CAB.



V320 METER
FRONT VIEW

SCALE SYSTEM PARTS

ITEM	PART NUMBER	QTY
V320 METER	M32A-101	1
VULCODER	V23	1
LOAD CELL	L02	2
MOUNTING KIT	H01	2
45' CABLE	C01	1



V320 METER
REAR VIEW

SECURE AND STRAIN RELIEF
WIRES IN CAB.

1 AMP FUSES

12 Vdc
TRUCK BATTERY
(POWER SUPPLIED AT ALL TIMES.)

LOAD CELL
PEDESTAL
ASSEMBLY

VULCODER

DRAWN

CW

3/5/08

APPROVED

B. ZIMMERMAN

3/5/08

UNLESS OTHERWISE SPECIFIED:
DIMENSIONS ARE IN INCHES

SHEAR BEAM/
PEDESTAL SCALE
SYSTEM

stress-tek, inc.

kent, washington

DWG.
NO.

63-30098

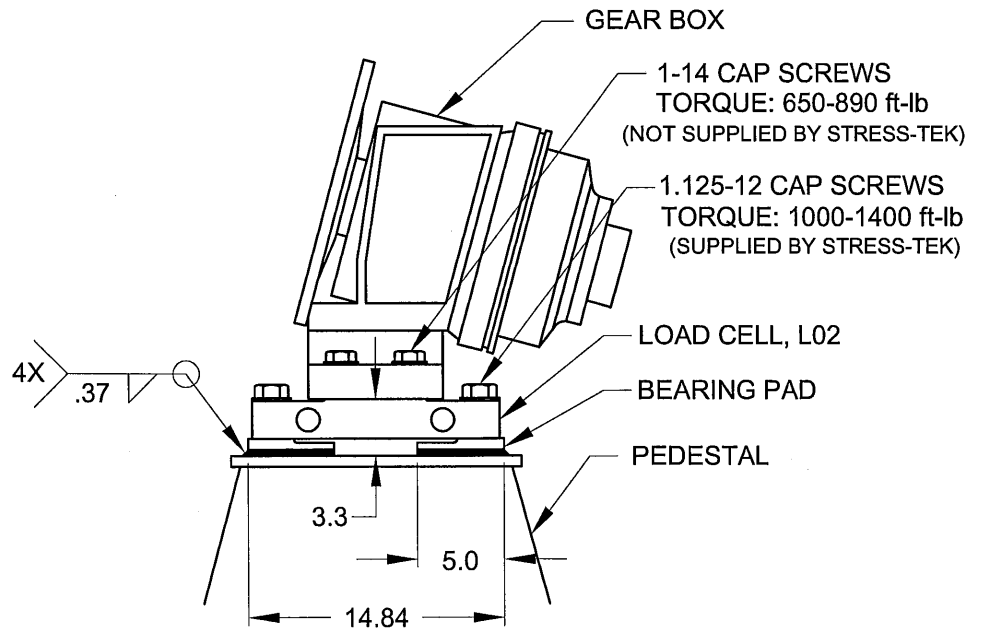
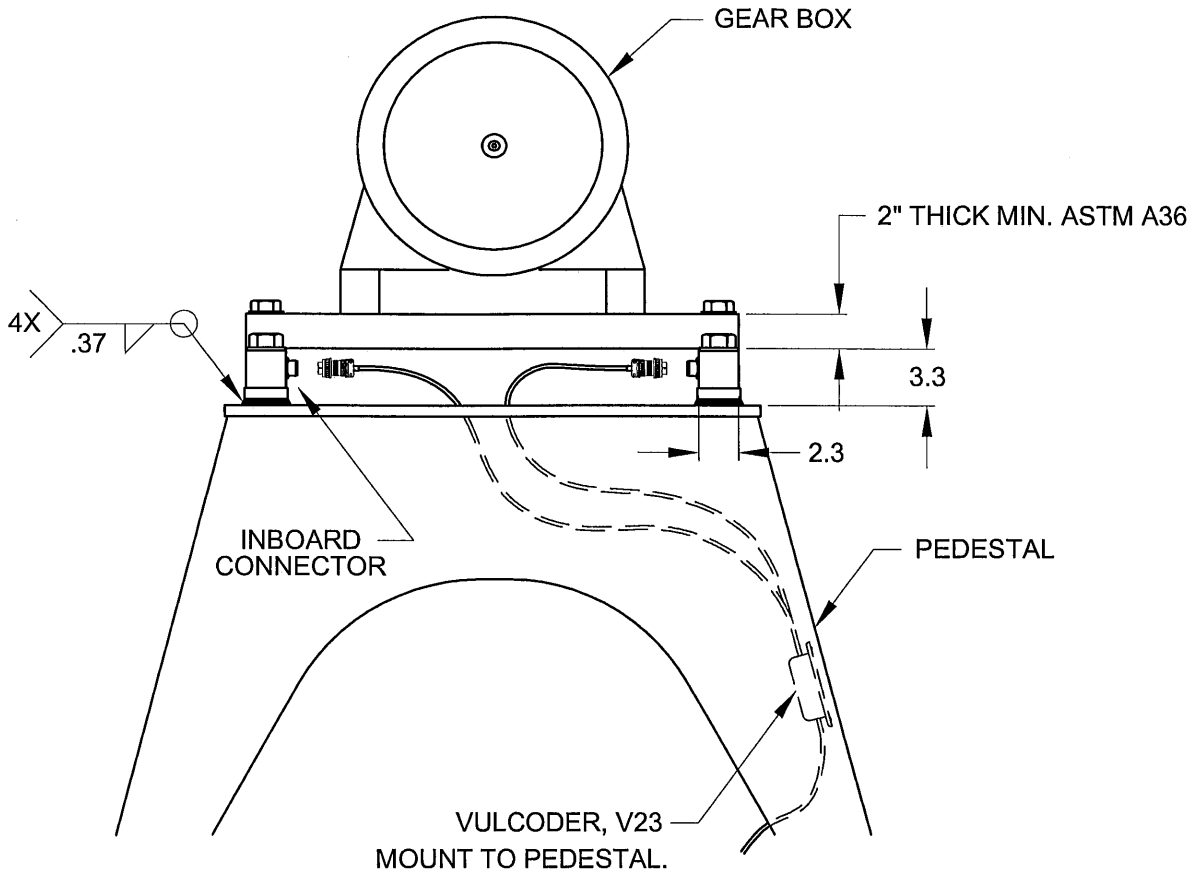
REV



SCALE

NONE

SHEET 1 OF 2

TECHNICAL DATA FURNISHED HEREIN SHALL NOT BE RELEASED, USED, DUPLICATED, OR DISCLOSED IN WHOLE OR IN PART FOR MANUFACTURE OR PROCUREMENT WITHOUT THE WRITTEN PERMISSION OF STRESS-TEK, INC.



DRAWN 	3/5/08	UNLESS OTHERWISE SPECIFIED: DIMENSIONS ARE IN INCHES	SHEAR BEAM/ PEDESTAL SCALE SYSTEM		
APPROVED B.ZIMMERMAN	3/5/08				
 kent, washington		DWG. NO. 63-30098	REV 	SCALE NONE	SHEET 2