

SETUP AND CALIBRATION INSTRUCTIONS - Concrete Mixer Scale (Oshkosh)

Initial Setup With Vulcan V320 Meter

1. Enter Meter Menu Mode. Press PWR/MENU button to turn the meter on. The meter will go through the startup sequences and then to weighing mode.
2. Press the PWR/MENU button once again. Then press the CYCLE button once. The meter will display PC 000, for *Program Code*. Press the UP arrow button (▲) to set to PC 101.
3. Press the CYCLE button once again: the meter will display PU, for *Program Units*. The light marked **lb** should be on. If not, use the UP or DOWN (▲ or ▼) button to change to the proper units.
4. Press the CYCLE button once again: the meter will display PG, for *Program Graduation Size*. Select 200 by using the ▲ or ▼ button.
5. Press PWR/MENU button once to exit MENU and return to normal operation.

Set Tare (Empty) Weight

1. Set the Tare Weight only when the concrete mixing truck is empty and stopped on level ground.
2. Press the TARE button on the front of the meter. The lights marked **TARE**, **LOCK** and **Channel A** should be on.
3. Set Tare to zero pounds (lbs) by pressing the ▲ or ▼ button. Press the TARE button once to save this value and return to normal weighing mode.

Set Starting Calibration Number

1. Press the CAL button once. The lights marked **CAL**, **LOCK** and **Channel A** should be on.
2. Press and hold the ▲ or ▼ button to set the calibration number to **13200**. Press the CAL button to save this value and return to normal weighing mode. You are now ready to fine-tune your scale system.

Fine Tuning Mixer Scale Calibration

Just before loading, verify that the empty Tare Weight is at zero. If it is not, repeat the steps listed under **Set Tare (Empty) Weight**. Obtain a full load of concrete. Stop the drum rotation and drive truck a short distance (up to ¼ mile) to settle the material. The truck should be on level ground. Compare the weight displayed on the V320 meter to that of the batch plant ticket or platform scale.

If the calibration of the truck scale requires adjustment, begin by pressing the meter's **CAL** button twice. The red indicator lights for **CAL** and **LOCK** will turn on. The red lights for **Channel A** and **lb** will flash. The meter will continue displaying the weight. Adjust the meter to match the batch plant ticket or platform scale by pressing the ▲ or ▼ button on the meter. After adjusting the net weight, press **CAL** once to save the new calibration setting and return to normal weighing mode. The **CAL** indicator light will turn off.

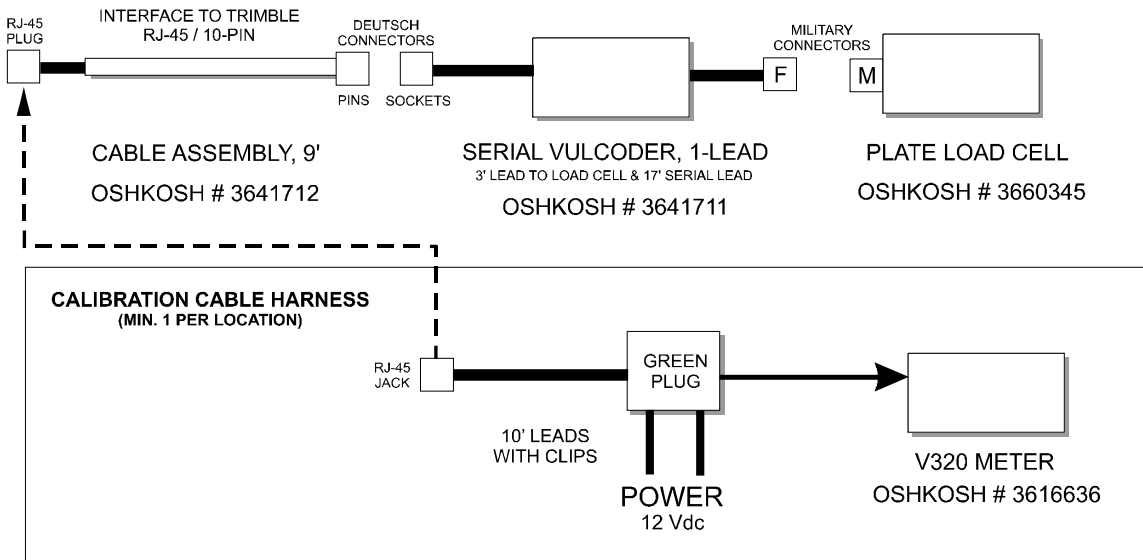
Lock the Calibration Settings

Vulcan On-Board Scales recommends the use of this locking feature. This prevents the loss or unauthorized modification of the calibration and Tare Weight settings. To activate the lock setting:

1. With the meter in normal weighing mode, press PWR/MENU button.
2. Press the CYCLE button 5 times. The meter should display **PL OFF** which designates that *Program Lock* is turned off.
3. Press the ▲ or ▼ button to switch the program lock setting to ON.
4. Press PWR/MENU again to return to normal weighing mode.

For Trimble® interfaced units, a Vulcan V320 meter and calibration cable will be required for initial setup and calibration.

1. Locate and open the right side dash panel inside the driver compartment to access the Vulcan/Trimble interface cable. This is a black cable with a gray flat segment with a small 10-pin RJ-45 connector.
2. Disconnect the Trimble interface cable from the Trimble GPS unit. Connect the RJ-45 jack of the Vulcan calibration cable harness to the RJ-45 plug as shown in the diagram below.
3. Connect the green plug to the green connector on the rear of the V320 meter.
4. Connect the power lead clips to a 12-volt DC battery.
5. Follow initial setup and fine-tuning calibration steps as described on the front side of this card.
6. Disconnect the calibration harness and reconnect the Trimble interface cable to the Vulcoder cable.



Connection Diagram with Component Part Numbers

**For Product Assistance, contact:
 VULCAN CUSTOMER SERVICE
 1-800-237-0022
 Hours: 7:30 a.m. – 5:00 p.m.
 PACIFIC TIME**

INSTALLATION NOTE:

Please send these instructions, with other truck documents, to end user.

NOTE TO SCALE SYSTEM USER:

Maintenance to keep this document for reference.