



SERVICE BULLETIN

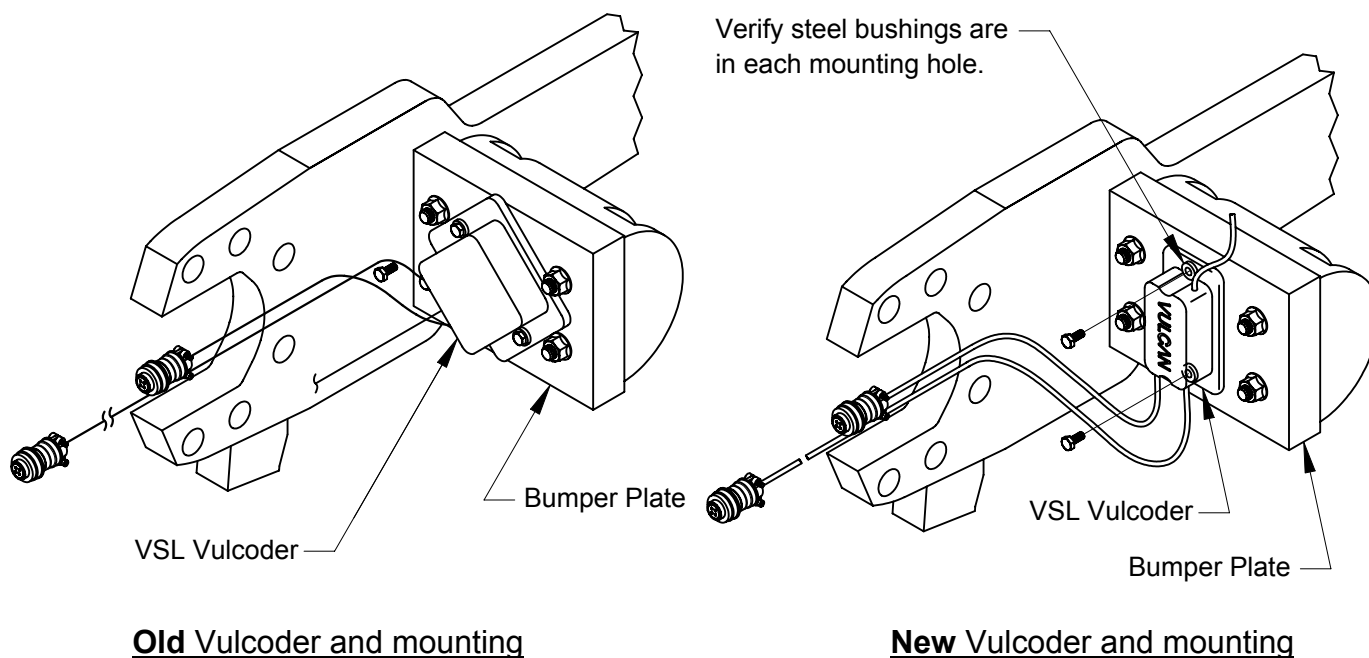
1-800-237-0022

SUBJECT: REPLACEMENT VULCODER INSTALLATION WITH NEW PACKAGE SIZE AND MOUNTING CONFIGURATION

EFFECTIVITY: FORK SCALES

PROBLEM: Vulcorder case cracking due to installed position next to the bumper mounting bolts.

SOLUTION: Redesign Vulcorder package and installation configuration so it is now centered on the bumper plate away from the bumper mounting fasteners.



Vulcorder must be mounted in the center of the bumper bolt pattern such that the Vulcorder case does not contact the bumper mounting fasteners. If the bumper plate does not have tapped holes in this area, hole spacing is 4.25". Drill and tap $\frac{1}{4}$ -20 holes to mount the Vulcorder in the center of the bumper plate.