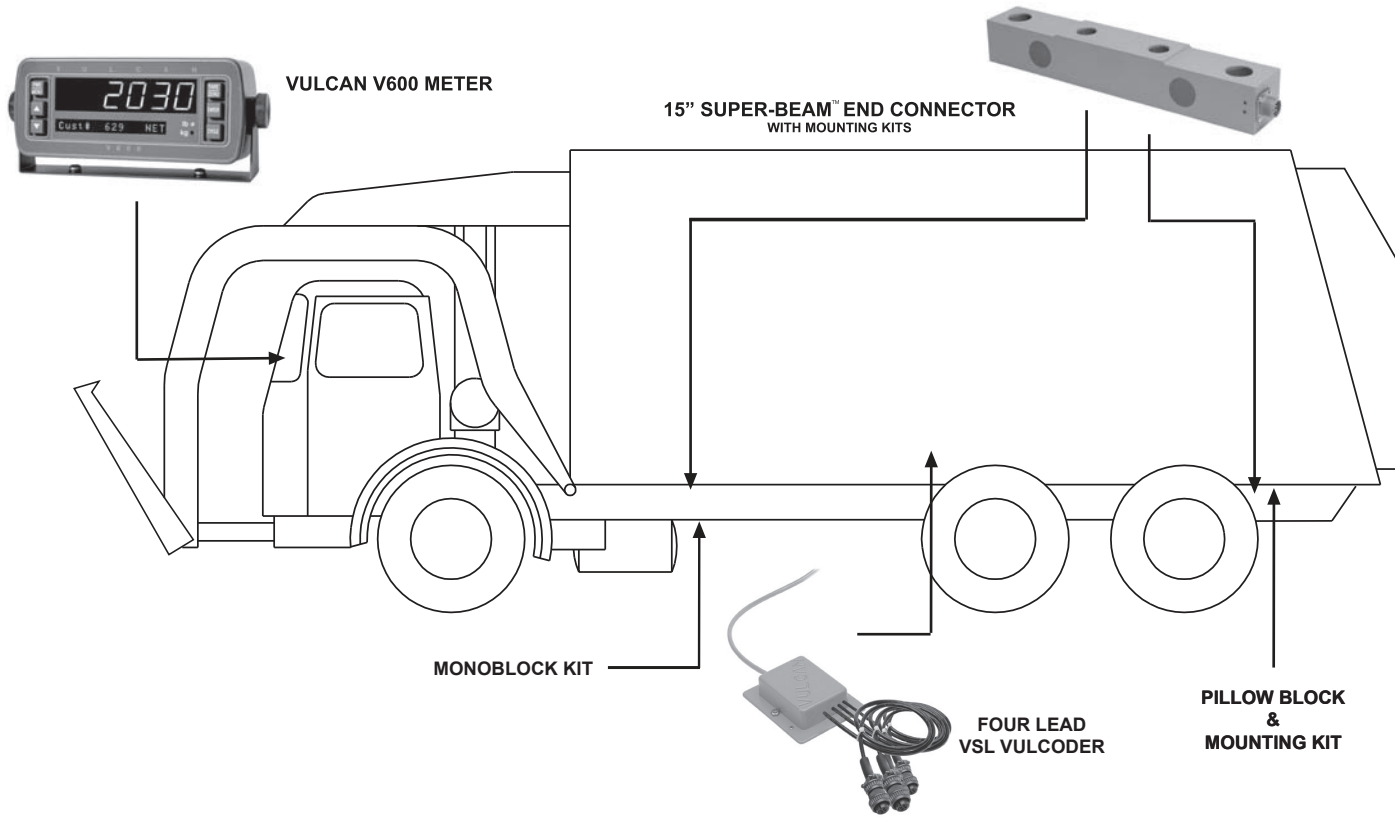


# TIPPING REFUSE BODY SCALE SYSTEM (4 CELL) WITH MOUNTING BRACKETS



## R-226B

### SYSTEM INCLUDES:

- (1) M60 V600 METER
- (1) V24 VSL VULCODER - 4 LEAD
- (1) C01 ORANGE CABLE, 40'
- (4) L01 15" SUPER-BEAMS - END CONNECTOR
- (2) H01 15" SUPER-BEAM MOUNTING KITS
- (1) H03 15" SUPER-BEAM MONOBLOCK KIT - 2 incl.
- (2) H04 15" SUPER-BEAM PILLOW BLOCK KITS
- (4) H05 BODY FRAME BRACKET
- (2) H06 TRUCK FRAME BRACKET
- (2) H08 FASTENER KIT

The Vulcan tipping refuse body scale system without mounting brackets is designed to work with refuse bodies that tip to dump. It can also be modified for units that tip only for service. The scale system measures gross vehicle, net payload and individual commercial pick-up weights.

REPRESENTED BY:

