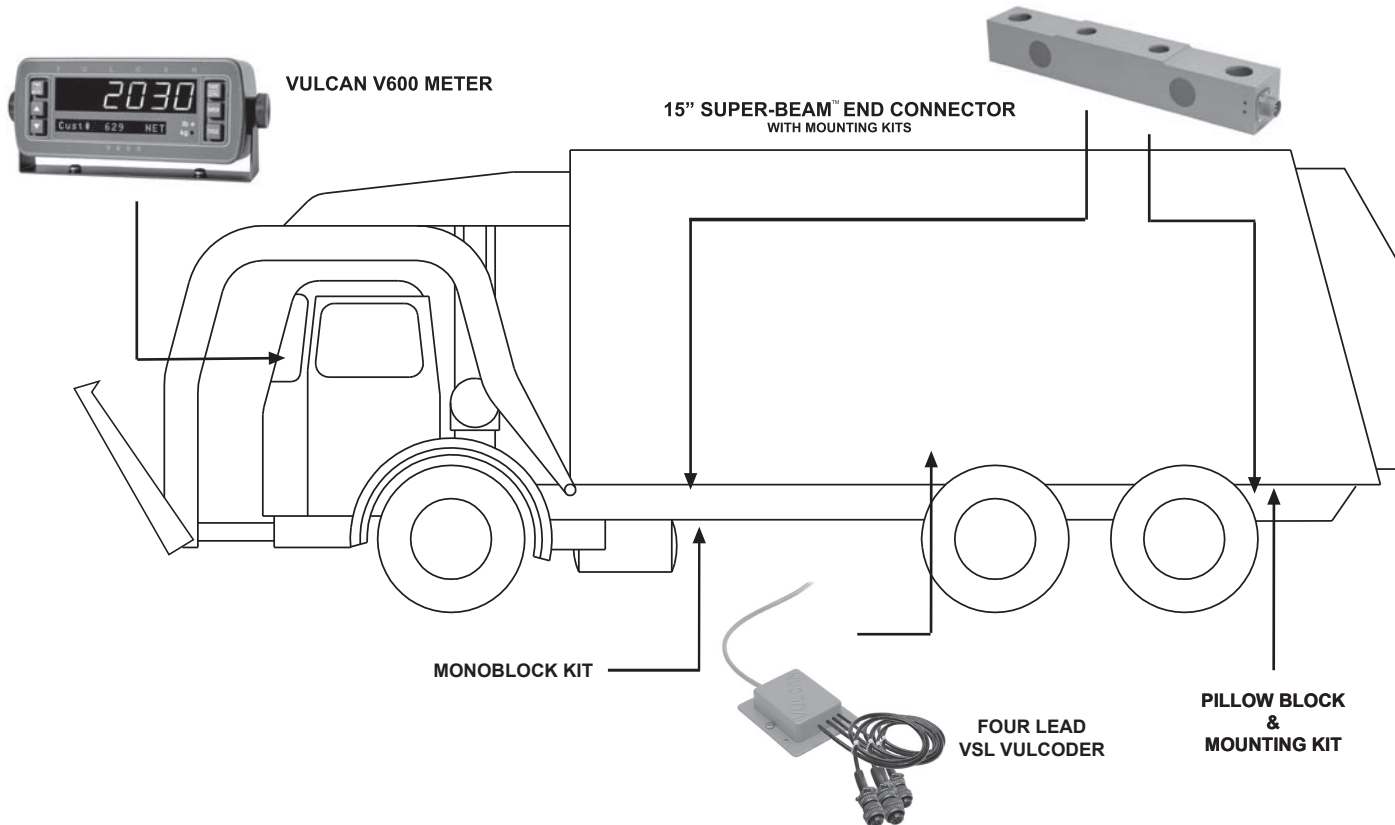


TIPPING REFUSE BODY SCALE SYSTEM (4 CELL) WITHOUT MOUNTING BRACKETS



R-226

SYSTEM INCLUDES:

- (1) M60 V600 METER
 - (1) V24 VSL VULCODER - 4 LEAD
 - (1) C01 ORANGE CABLE, 40'
 - (4) L01 15" SUPER-BEAMS - END CONNECTOR
 - (2) H01 15" SUPER-BEAM MOUNTING KITS
 - (1) H03 15" SUPER-BEAM MONOBLOCK KIT - 2 incl.
 - (2) H04 15" SUPER-BEAM PILLOW BLOCK KITS
- NOTE: Does NOT include body brackets, truck frame brackets and fasteners required for installation

The Vulcan tipping refuse body scale system without mounting brackets is designed to work with refuse bodies that tip to dump. It can also be modified for units that tip only for service. The scale system measures gross vehicle, net payload and individual commercial pick-up weights.

REPRESENTED BY: