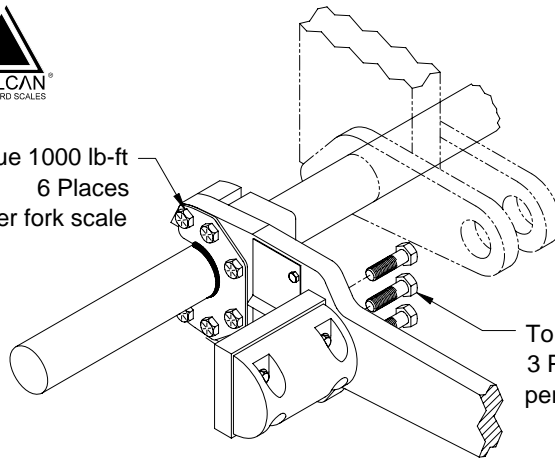




Torque 1000 lb-ft
6 Places
per fork scale



Torque 700 lb-ft
3 Places
per fork scale

NEW INSTALL: Check Bolt Torque Once A Week For The First Two Weeks, Then Periodically When Truck Is Serviced. Painting And Undercoating the Front Fork Scales And Mounting Clamps Will Increase Their Service Life.