



## TECHNICAL BULLETIN

### 1-800-237-0022

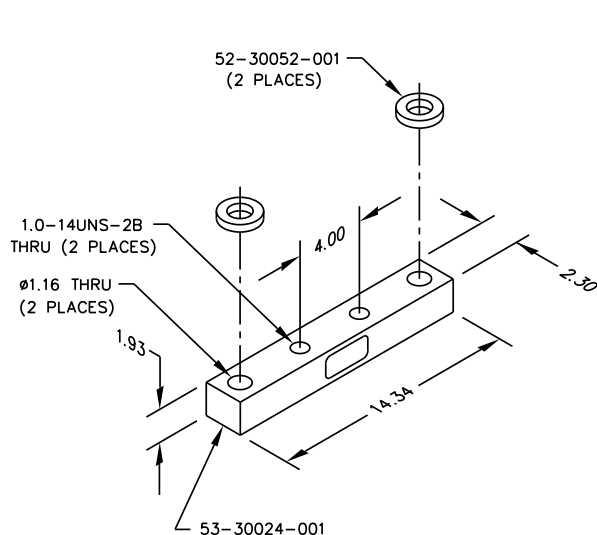
**Stock No. - H09 - 15" LOAD CELL INSTALLATION SPACER**

**Stock No. - H67 - 26" LOAD CELL INSTALLATION SPACER**

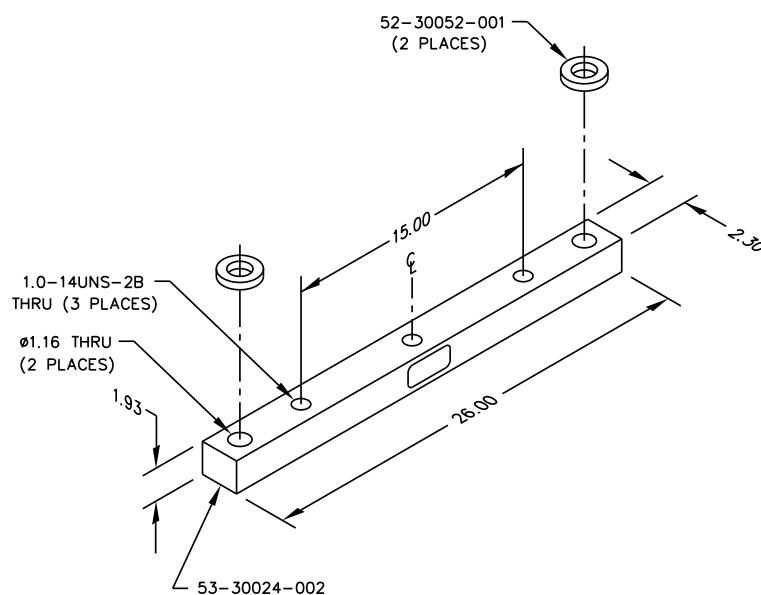
#### PURPOSE:

Assists in load cell and bracket installation on refuse or similar type vehicles. Use of the Installation Spacer ensures level and true alignment between load cells, load cell brackets and the truck frame. Scale system installation time is also significantly reduced. Application is for 15" and 26" VULCAN load cells. The Installation Spacer is made of high quality steel and is plated for corrosion protection. The kits are reusable for many installations.

Both kits include the Installation Spacer and special thick washers.



15" Load Cell Installation Spacer  
Part No. H09



26" Load Cell Installation Spacer  
Part No. H67



# TECHNICAL BULLETIN

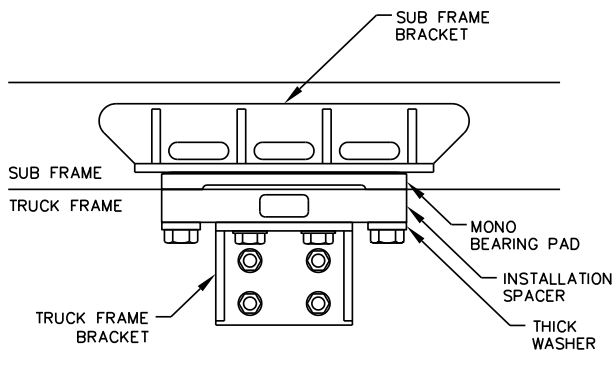
## 1-800-237-0022

### APPLICATION DESCRIPTION:

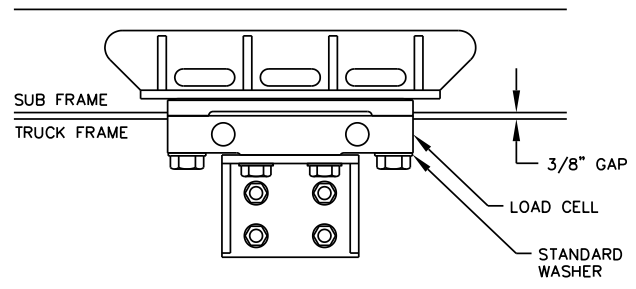
Scale system installations on refuse and similar type trucks require the load cells to be installed between the main truck frame and the body sub frame that supports a container. Brackets are manufactured and fastened to both truck frame and sub frame to which a load cell is mounted. The brackets and load cells are installed so they create a small gap separating the two frame rails. The load cell assemblies then become the only load bearing members between the two frame structures. This routes *all* the payload in the container through the load cells and to the truck frame.

### INSTALLATION DESCRIPTION:

With both the truck frame and body sub frame rails making continuous contact, the load cell brackets and Installation Spacers are fastened to the truck frame rail. The extra thick washers supplied, (plated olive green) are used to fasten the bearing pad to the Installation Spacer. This washer keeps the 1-1/8" diameter load cell end cap screws from extending through the bearing pads. The sub frame brackets are then located and installed by the position of the Installation Spacers. The Installation Spacers are 3/8" shorter in height than a VULCAN load cell. After all bracket assemblies are installed, the Installation Spacers and thick washers are replaced by the load cells and standard washers included in the mounting kit. This raises the body sub frame 3/8" off the truck frame and allows the load cell / bracket assembly to be the only load path between the body sub frame and the truck frame.



Installed Brackets and Installation Spacer (H09 Shown)



Installation Spacer Replaced With Load Cell (H09 Shown)