



TECHNICAL BULLETIN

1-800-237-0022

METER ENCLOSURE, N.E.M.A. TYPE

PART NO. 56-10437-001

CONCEPT:

Watertight enclosure designed for the Vulcan V200 Meter or V400 Meter so they can be protected in all weather conditions and harsh environments. The lid is hinged allowing easy access to the meter as necessary. The enclosure can be installed anywhere to suit the needs of the operator.

SPECIFICATIONS:

Light blue-gray compression molded base and lid with stainless steel lid screw bosses, captive lid screws, neoprene lid gasket, and a clear sealed view port. A breather vent and vent cover are used to ensure a moisture free enclosure. The enclosure includes an external waterproof on/off switch and a meter bracket installed in the enclosure. A ten foot power cable is included with the enclosure. The enclosure is designed to work with either one or two Vulcoders.

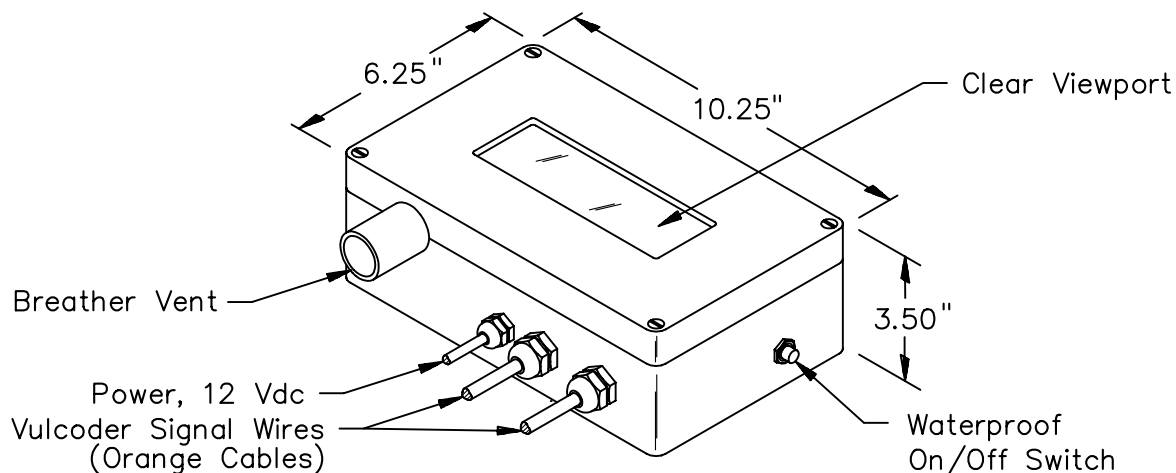


FIG. 119-A