

DAILY DRIVER OPERATING GUIDE: FRONT FORK, STATIC

GUIDELINES TO MAXIMIZE PICKUP WEIGHT ACCURACY

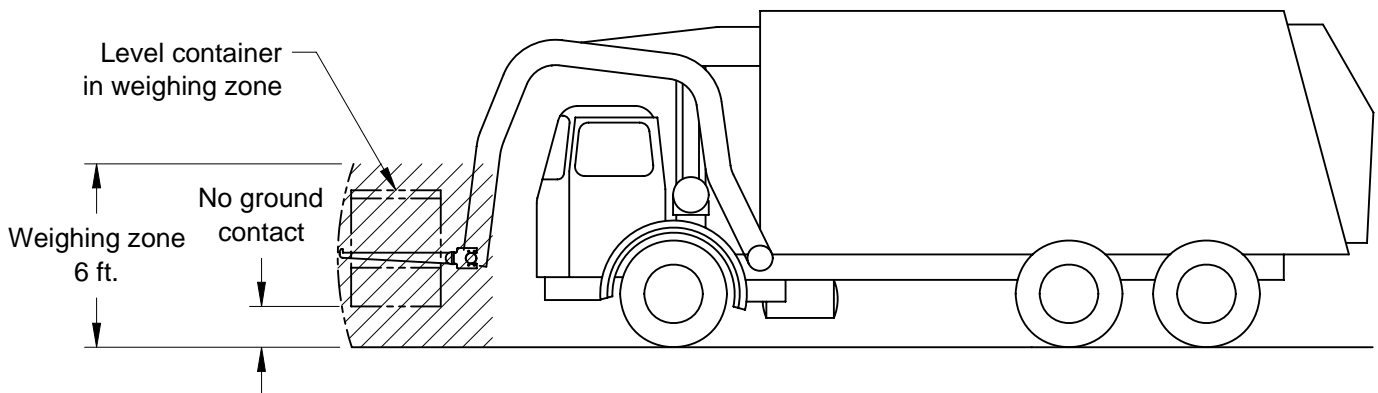
- Lift the bin completely off of the ground smoothly, stop the forks in a level position in the weighing zone. Wait for a “two beep” audible signal from the meter indicating weight capture, then dump the bin.
- Lower the empty bin and stop in the weighing zone with level forks, wait for a “two beep” audible signal indicating weight capture, and return bin to the ground.
- If continuous beeping occurs while lifting the bin to dump or setting it on the ground, bring the bin back into the weighing zone and wait for the “two beep” signal.
- If maneuvering a bin to get in the lifting position, momentarily set the bin back on the ground before weighing. This will reset the weighing cycle.
- If picking a bin from a dock, bring it down to a few feet off the ground and wait for the “two beep” audible signal before dumping.
- Manually decrease the customer number for multiple bins at the same customer for accurate customer tracking.
- Weigh in and out of the landfill or transfer station to determine the actual net weight. If not, ensure an accurate empty weight is on file.
- Enter in the landfill or transfer station net weight for data recording and downloading records.

VULCAN CUSTOMER SERVICE

1-800-237-0022

HOURS:
7:30 a.m. - 5:00 p.m.
PACIFIC TIME

UP AND DOWN LIFT CYCLE



INSTALLATION NOTE:

Please wire tie this driver card to the Vulcan V600 Meter bracket.

DRIVER NOTE:

Please place this driver card on visor or clipboard to use as a quick reference guide.