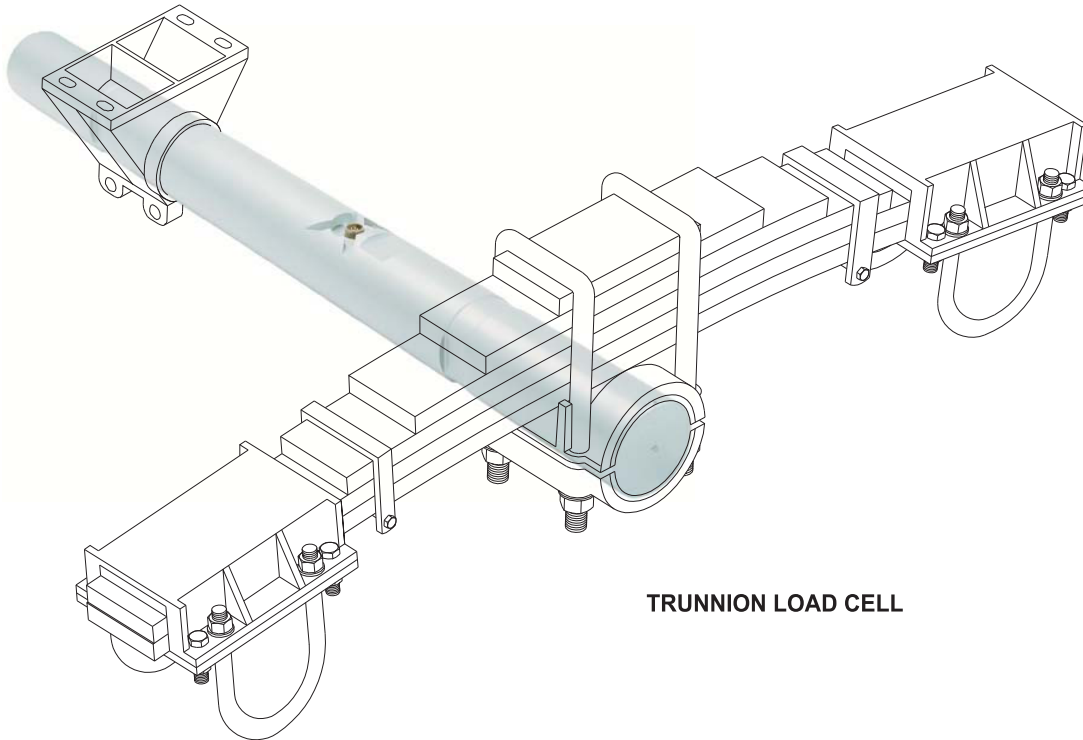


The Vulcan Trunnion Load Cell

The highest quality trunnion load cell for on-board weighing applications.

These load cells were designed to fit **single point suspensions** in heavy duty off-road applications. The trunnion load cell replaces the 4" diameter by 48" or 54" long trunnion tubes or dead axles in existing suspensions.



TRUNNION LOAD CELL

KEY BENEFITS:

- Easy installation - just replace your existing trunnion
- Bolts in - no welding required
- No trailer or suspension modifications needed
- Simple and quick scale installation for existing trailers
- Uses standard suspension bushings and parts
- Accuracy typically within 1% of Gross Vehicle Weight
- Rugged - machined from a solid bar of high strength alloy steel
- Compatible with most electronic systems
- Excellent for both on-road and off-road applications

**QUALITY, DEPENDABILITY, SIMPLICITY FROM
THE WORLD LEADER IN ON-BOARD SCALES**



TRUNNION LOAD CELL

LOAD CELL FOR ON-BOARD
WEIGHING APPLICATIONS

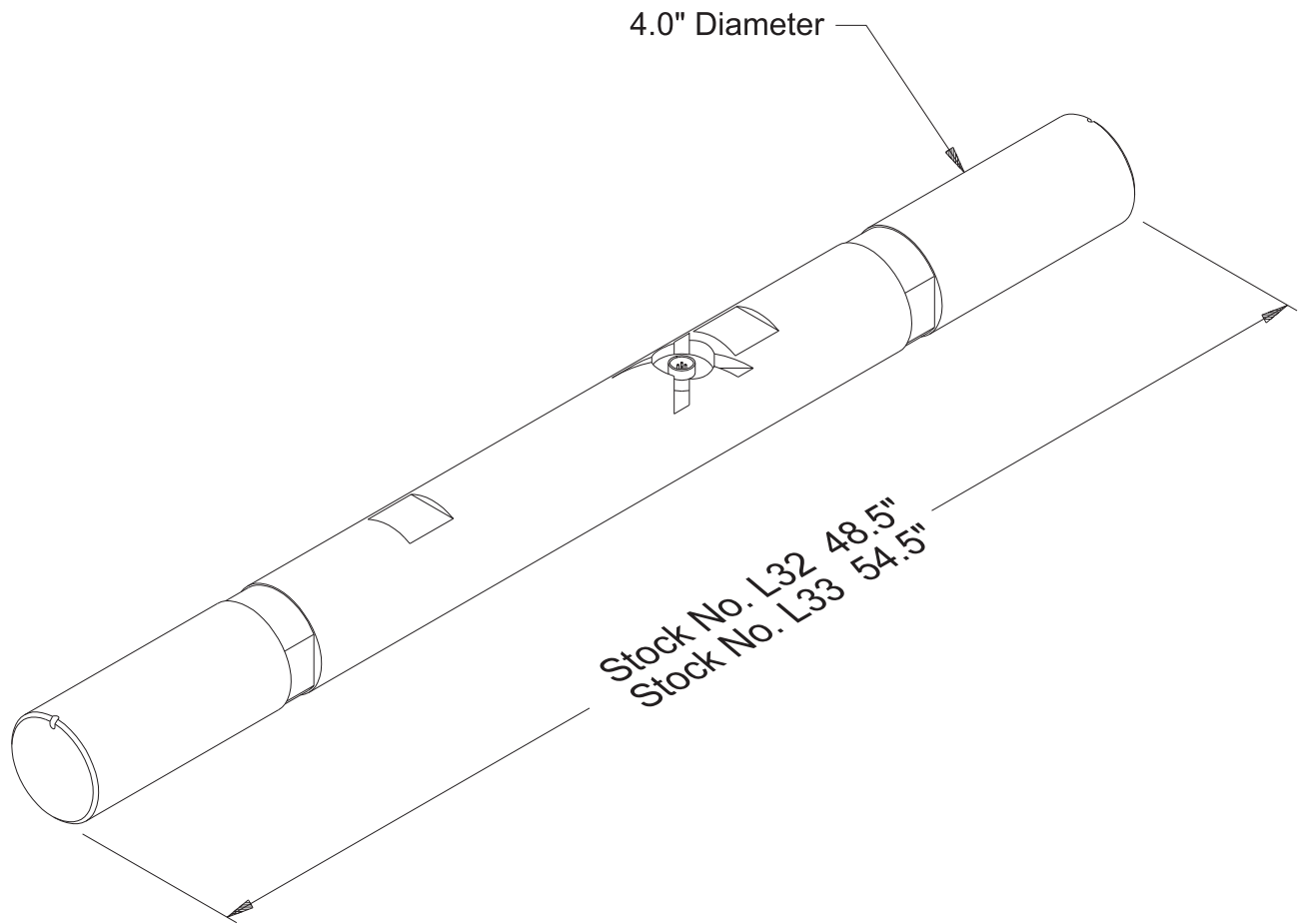
UNITED STATES

STRESS-TEK, INC.
5920 SOUTH 194th STREET
KENT WASHINGTON 98032
PHONE: 253 872-1910
800 237-0022
FAX: 253 872-9626
EMAIL : info@vulcanscales.com
www.vulcanscales.com

CANADA

STRESS-TEK, INC.
UNIT #11
1642 LANGAN AVENUE
PORT COQUITLAM B.C.
V3C 1K5
PHONE: 800 663-0854

VULCAN TRUNNION LOAD CELL



SPECIFICATION:

CAPACITY: 75,000 lb

ACCURACY: Typical system error less than
1% GVW

OUTPUT: .38 mV/V at 25,000 lb

WEIGHT: L32 - 170 lb., L33 - 190 lb.

MATERIAL: High strength alloy steel

PLATING: Vulcan load cells are plated for increased rust protection

REPRESENTED BY: