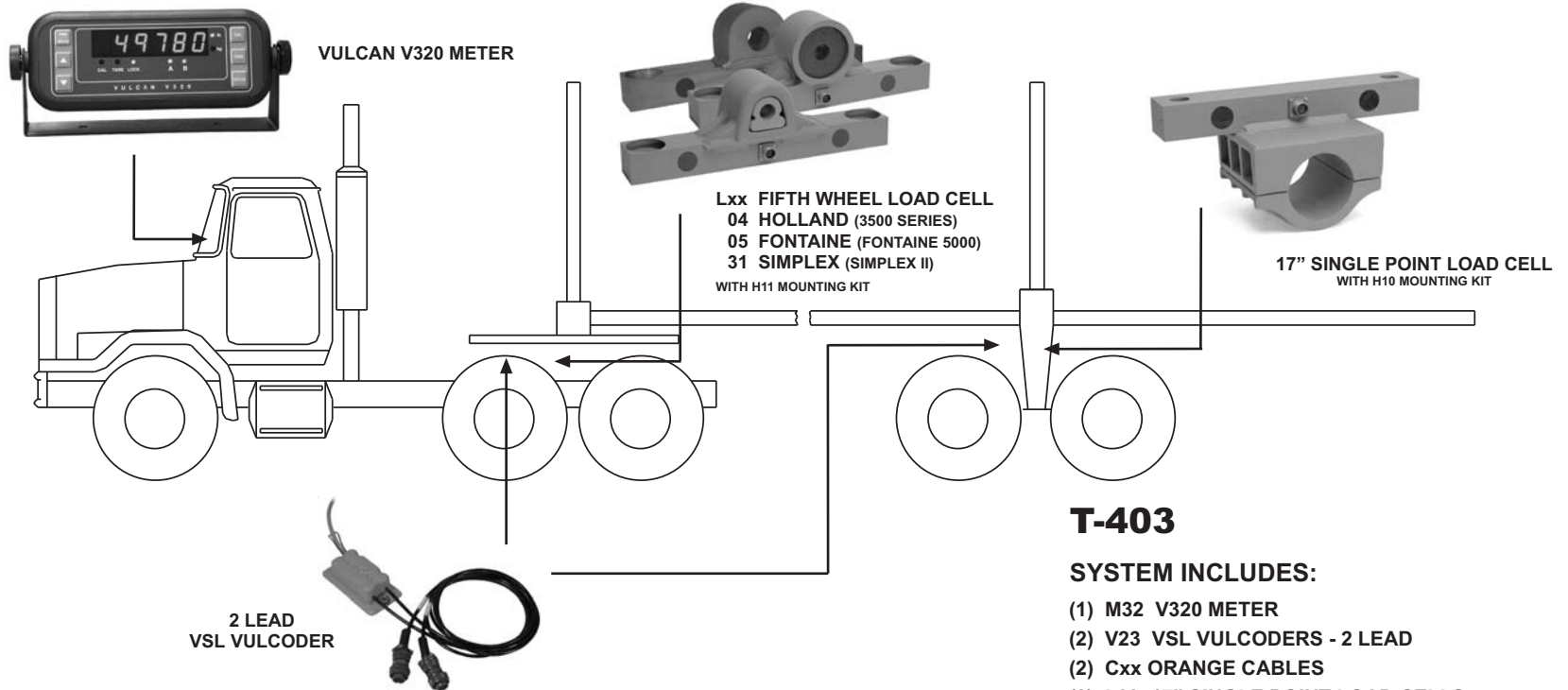


SINGLE POINT LOGGING SCALE SYSTEM

V300 ELECTRONICS



T-403

SYSTEM INCLUDES:

- (1) M32 V320 METER
- (2) V23 VSL VULCODERS - 2 LEAD
- (2) Cxx ORANGE CABLES
- (2) L03 17" SINGLE POINT LOAD CELLS
- (2) Lxx 19" FIFTH WHEEL LOAD CELLS
- (2) H10 17" SHEAR BEAM MOUNTING KITS
- (2) H11 19" SHEAR BEAM MOUNTING KITS

The Vulcan single point logging scale system for folding pole trailers and 4-bolster / plantation style trucks and trailers uses proven technology to give you the reliability and accuracy you expect. Vulcan fifth wheel load cells, and L03 single point load cells are the industry standard for scaling tractors with single point suspension trailers. Vulcan VSL electronics allow for unlimited mixing of tractors and trailers without any adjustments.

REPRESENTED BY: