

SHORT LOGGER SCALE SYSTEM

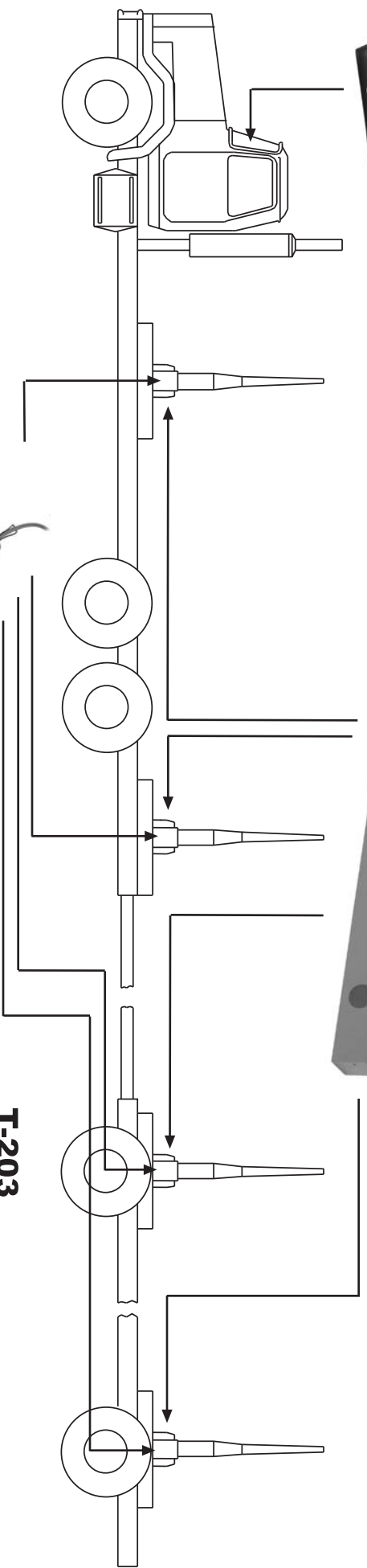
V300 ELECTRONICS



VULCAN V340 METER



26" SUPER-BEAM™ SIDE CONNECTOR
WITH H13 MOUNTING KIT



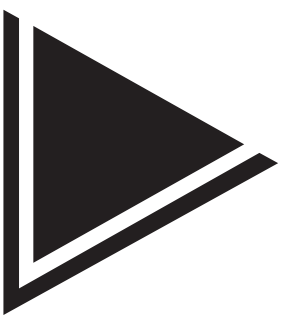
2 LEAD
VSL VULCODER

T-203

SYSTEM INCLUDES:

- (1) M34 V340 METER
- (4) V23 VSL VULCODERS - 2 LEAD
- (2) Cxx ORANGE CABLES
- (8) L08 26" SUPER-BEAMS - SIDE CONNECTOR
- (8) H13 26" SUPER-BEAM MOUNTING KITS

The Vulcan short logger scale system uses proven technology to give you the reliability and accuracy you expect. Vulcan L08 26" Super-Beam load cells are the established and proven standard for excellence in the logging industry. Vulcan VSL electronics allow unlimited mixing of trucks and trailers without any adjustments.



VULCAN

ON-BOARD SCALES

800 237-0022

www.vulcanscales.com

REPRESENTED BY:

