

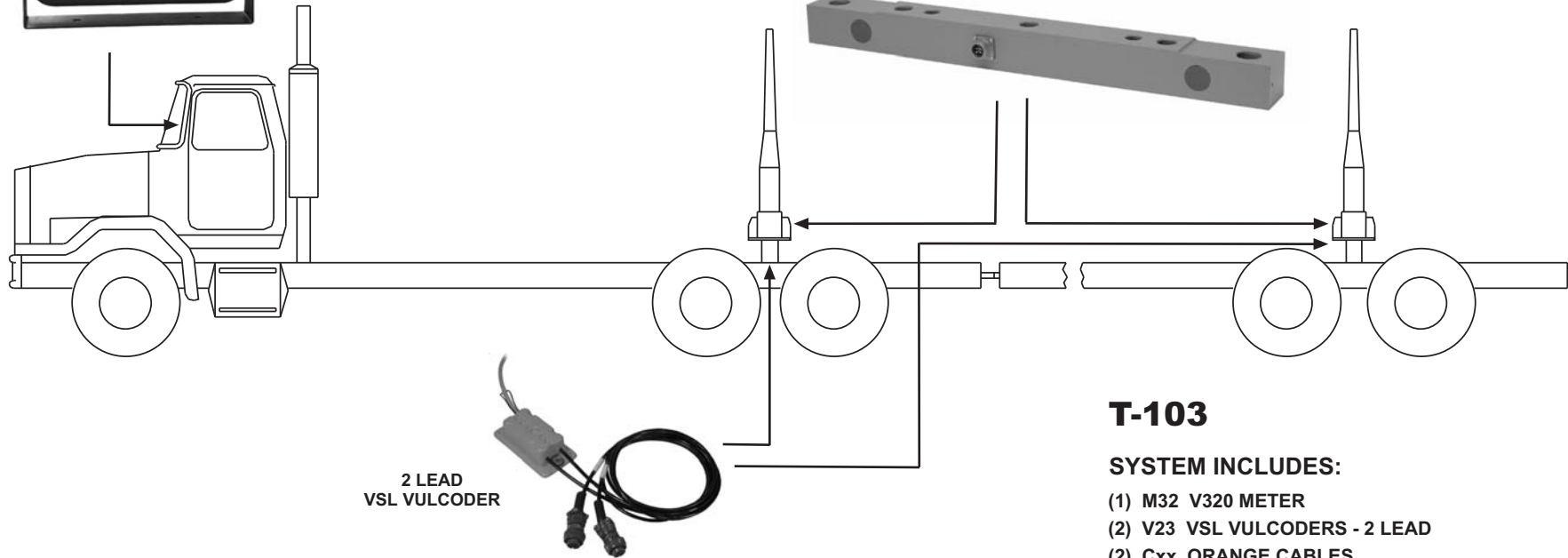
LONG LOGGER SCALE SYSTEM

V300 ELECTRONICS



VULCAN V320 METER

26" SUPER-BEAM™ SIDE CONNECTOR
WITH H13 MOUNTING KIT



2 LEAD
VSL VULCODER

T-103

SYSTEM INCLUDES:

- (1) M32 V320 METER
- (2) V23 VSL VULCODERS - 2 LEAD
- (2) Cxx ORANGE CABLES
- (4) L08 26" SUPER-BEAMS - SIDE CONNECTOR
- (4) H13 26" SUPER-BEAM MOUNTING KITS



VULCAN
ON-BOARD SCALES
800 237-0022
www.vulcanscales.com

The Vulcan long logger scale system uses proven technology to give you the reliability and accuracy you expect. Vulcan L08 26" Super-Beam load cells are the established and proven standard for excellence in the logging industry. Vulcan VSL electronics allow unlimited mixing of trucks and trailers without any adjustments.

REPRESENTED BY: