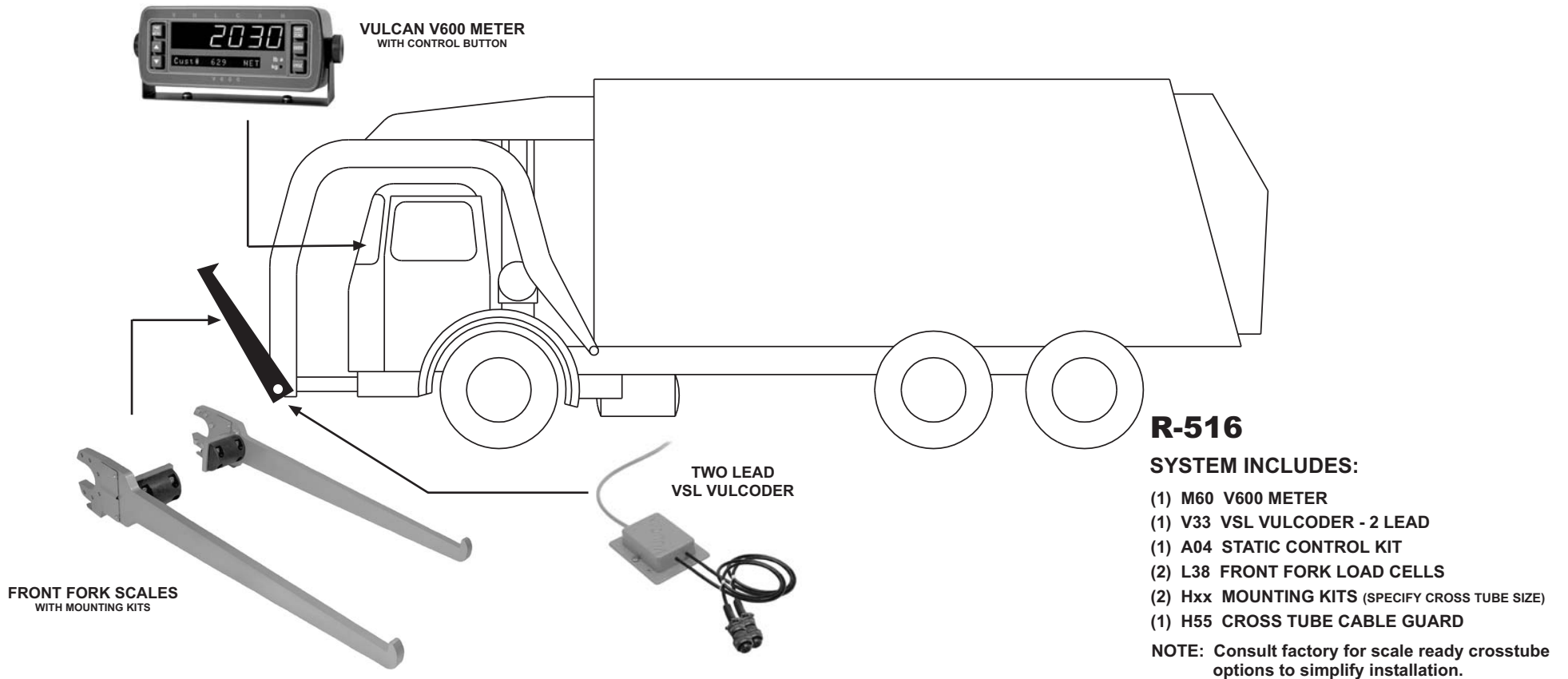


WEIGH-IN-MOTION / STATIC FRONT FORK SCALE SYSTEM



The unique Vulcan weigh-in-motion / static front fork scale system fits all types of front end loaders for refuse applications. The rugged, bolt-on weight sensing forks replace the truck's existing forks. The V600 electronics displays individual bin weights and total net payload weight. It can record up to 1,500 events including: date, time, stop number, pick-up weight and exceptions. Bin weight measurements are automatically initiated by a proximity switch.

REPRESENTED BY: