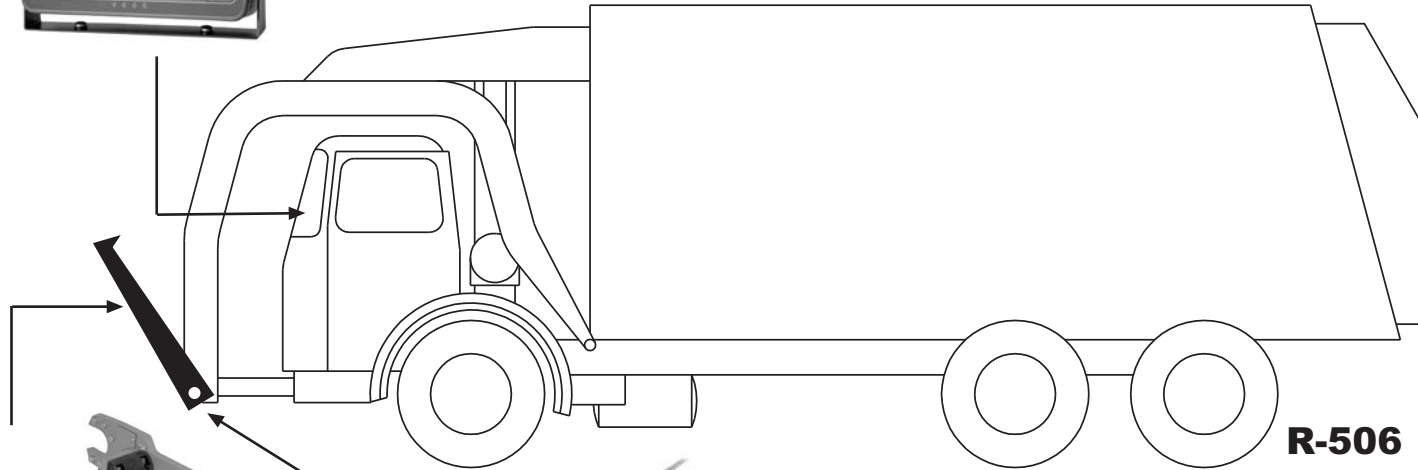


MANUAL FRONT FORK SCALE SYSTEM



VULCAN V600 METER
WITH CONTROL BUTTON

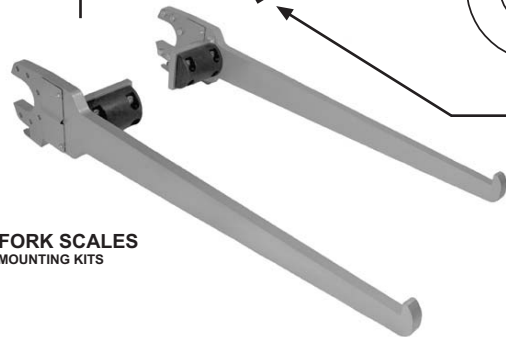


R-506

SYSTEM INCLUDES:

- (1) M60 V600 METER
- (1) V33 VSL VULCODER - 2 LEAD
- (1) A01 CONTROL BUTTON
- (2) L38 FRONT FORK LOAD CELLS
- (2) Hxx MOUNTING KITS (SPECIFY CROSS TUBE SIZE)
- (1) H55 CROSS TUBE CABLE GUARD

NOTE: Consult factory for scale ready crosstube options to simplify installation.



FRONT FORK SCALES
WITH MOUNTING KITS



TWO LEAD
VSL VULCODER



VULCAN[®]
ON-BOARD SCALES
800 237-0022
www.vulcanscales.com

The unique Vulcan manual front fork scale system fits all types of front end loaders for refuse applications. The rugged, bolt-on weight sensing forks replace the truck's existing forks. The V600 electronics displays individual bin weights and total net payload weight. It can record up to 1,500 events including: date, time, stop number, pick-up weight and exceptions. Bin weight measurements are initiated by the driver pressing the control button. This system is ideal for audit applications when some or all containers are weighed.

REPRESENTED BY: