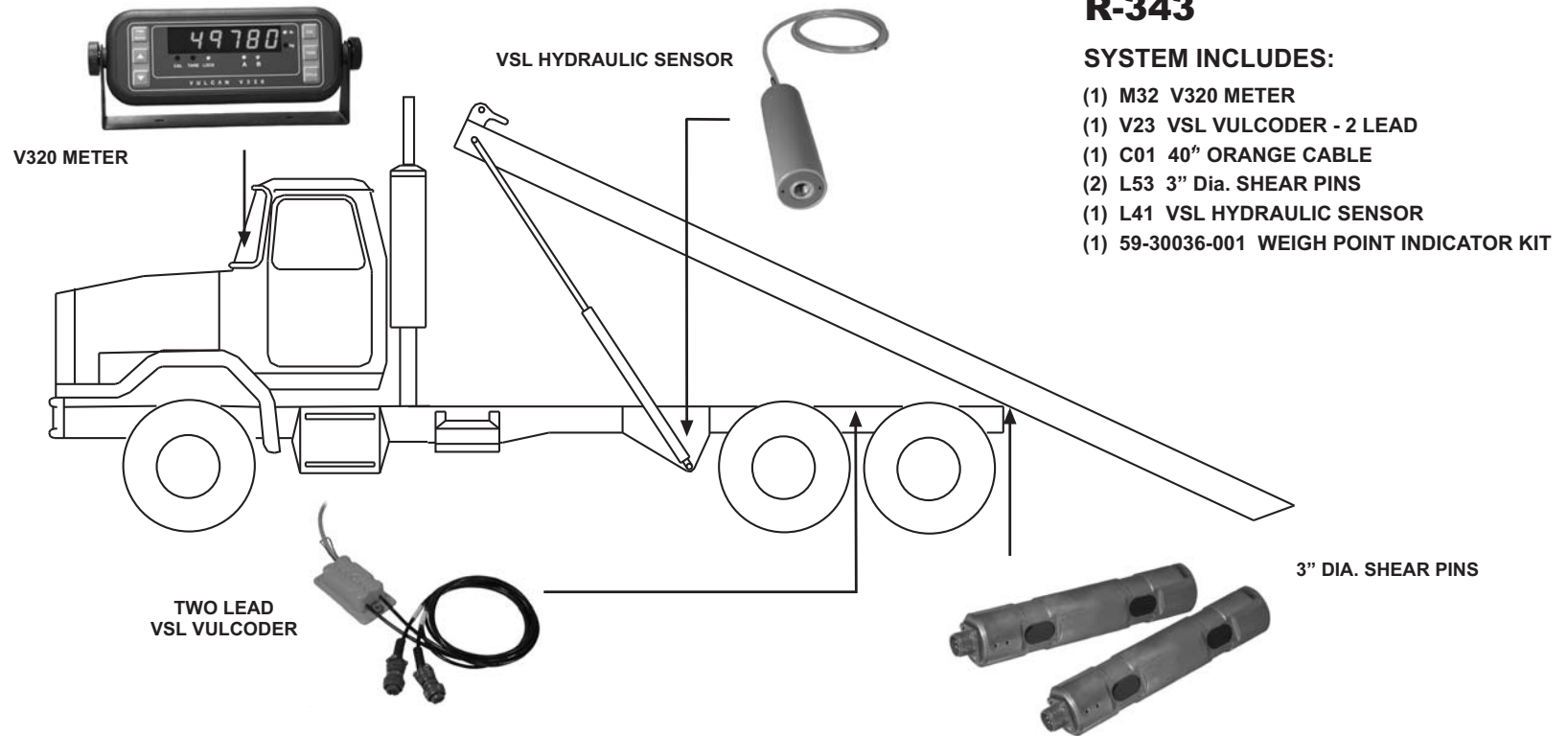


ROLL-OFF SCALE SYSTEM

3" DIAMETER REAR HINGE PINS without REAR HINGE MOUNTING KIT

MAXIMUM BOX WEIGHT: 90,000 LBS.



R-343

SYSTEM INCLUDES:

- (1) M32 V320 METER
- (1) V23 VSL VULCODER - 2 LEAD
- (1) C01 40" ORANGE CABLE
- (2) L53 3" Dia. SHEAR PINS
- (1) L41 VSL HYDRAULIC SENSOR
- (1) 59-30036-001 WEIGH POINT INDICATOR KIT



The Vulcan on-board roll-off scale system for the K-PAC 3" rear hinge design uses proven technology to give you the reliability and accuracy you expect. An all-digital hydraulic pressure sensor obtains weight by measuring hoist cylinder pressure. Durable Vulcan shear pin load cells measure weight on the rear hinge assembly. Easy to operate electronics provide total weight of the containers and it's contents to the driver in the cab. The system is simple and easy to use.

REPRESENTED BY: