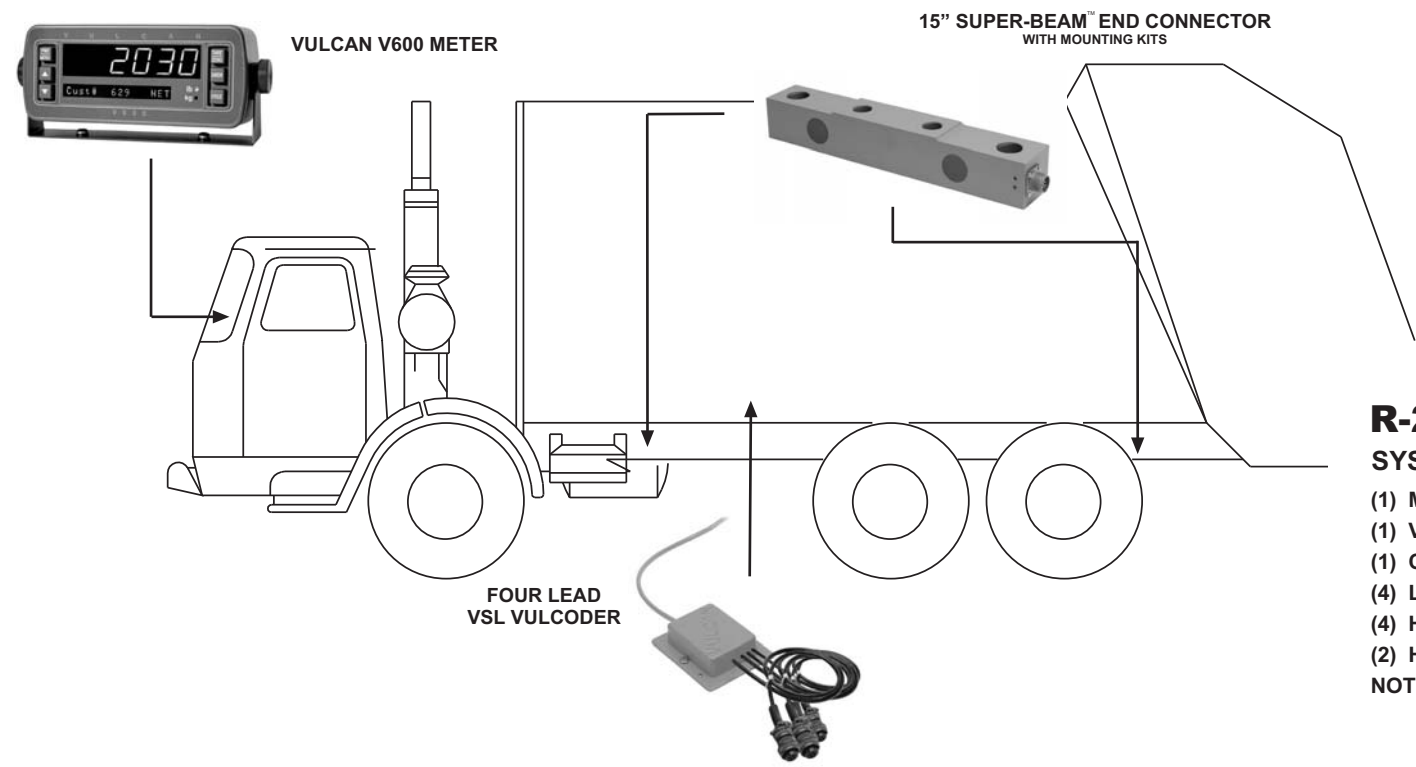


FIXED REFUSE BODY SCALE SYSTEM (4 CELL)

WITHOUT MOUNTING BRACKETS



R-216

SYSTEM INCLUDES:

- (1) M60 V600 METER
- (1) V24 VSL VULCODER - 4 LEAD
- (1) C01 CABLE, 40' ORANFLEX
- (4) L01 15" SUPER-BEAMS - END CONNECTOR
- (4) H01 15" SUPER-BEAM MOUNTING KITS
- (2) H02 15" SUPER-BEAM SPRING KITS

NOTE: Does NOT include body brackets, truck frame brackets and fasteners required for installation



The Vulcan fixed refuse 4-cell body scale system without mounting brackets is designed to work with all refuse bodies that are fix mounted and do not tip to dump or service. The scale system measures gross vehicle, net payload and individual commercial pick-up weights.

REPRESENTED BY: