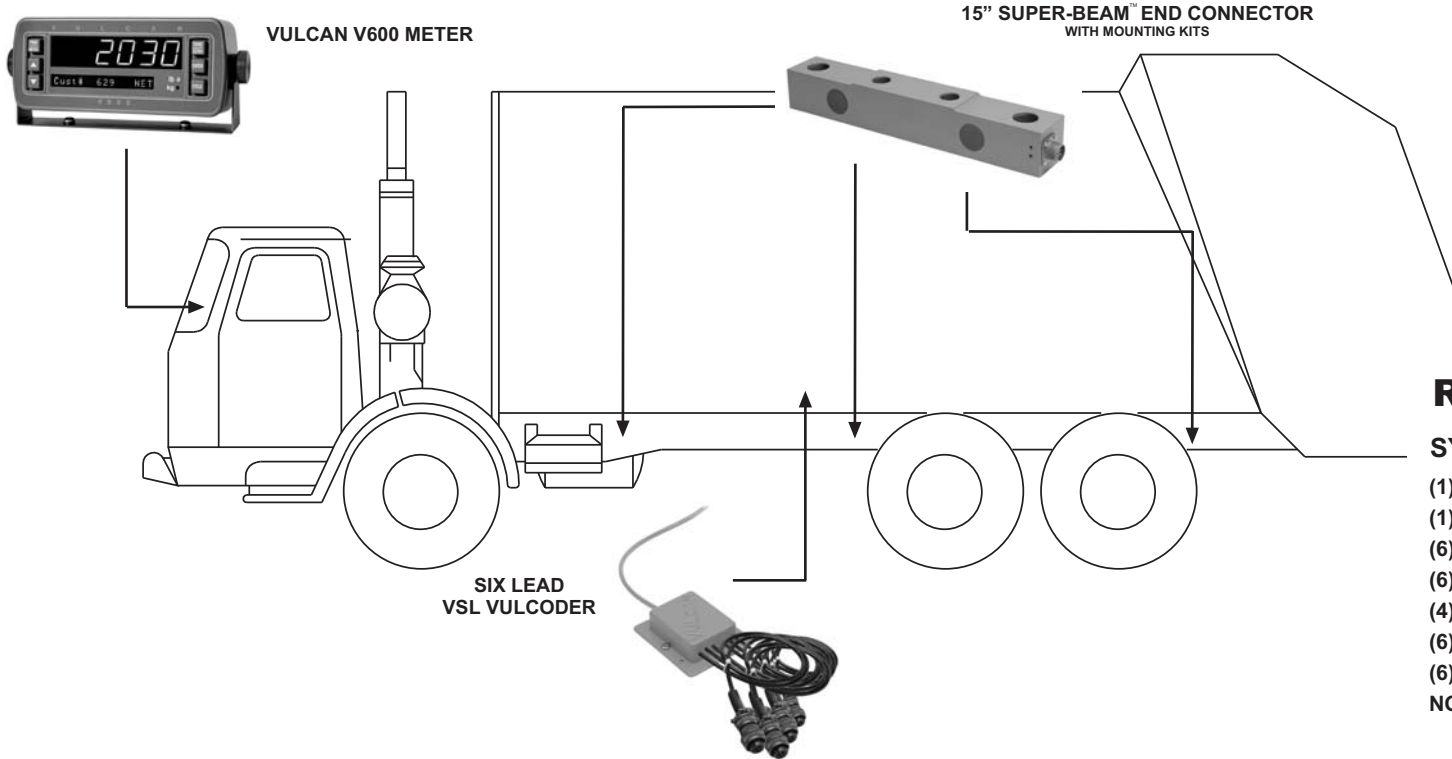


# FIXED REFUSE BODY SCALE SYSTEM (6 CELL)

## WITH MOUNTING BRACKETS (LEACH)



### R-206L

#### SYSTEM INCLUDES:

- (1) M60 V600 METER
- (1) V25 VSL VULCODER - 6 LEAD
- (6) L01 15" SUPER-BEAMS - END CONNECTOR
- (6) H01 15" SUPER-BEAM MOUNTING KITS
- (4) H02 15" SUPER-BEAM SPRING KITS
- (6) H06 TRUCK FRAME BRACKET
- (6) H08 FASTNER KIT

**NOTE:** Leach body requires additional structural support. Call Vulcan On-Board Scales for more details.



The Vulcan fixed refuse body scale system for Leach bodies is designed for refuse bodies that are fix mounted and do not tip to dump or service. The scale system measures gross vehicle, net payload and individual commercial pick-up weights.

REPRESENTED BY: