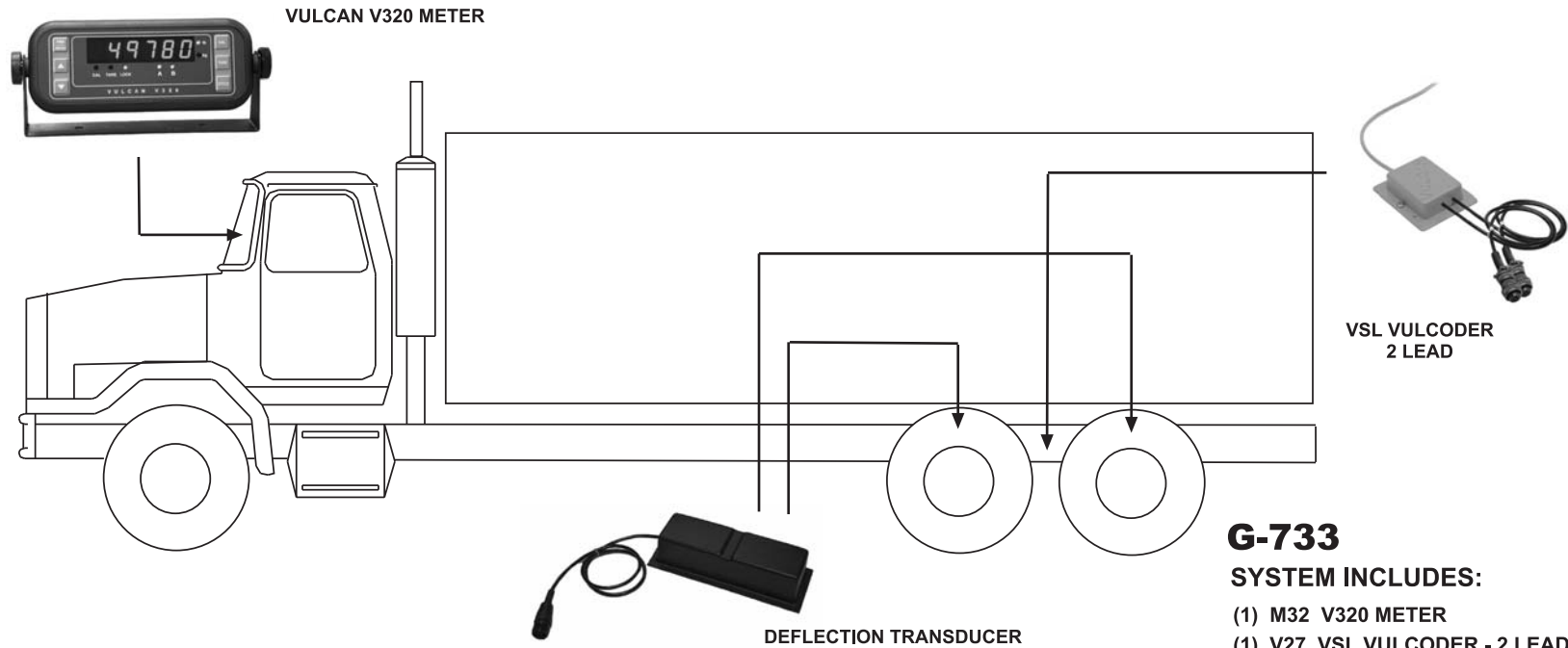


DEFLECTION TRANSDUCER SCALE SYSTEM

TWO POINT SYSTEM, REAR SUSPENSION



G-733

SYSTEM INCLUDES:

- (1) M32 V320 METER
- (1) V27 VSL VULCODER - 2 LEAD
- (1) C01 CABLE, 40' ORANGE FLEX
- (2) Lxx DEFLECTION TRANSDUCERS
- (2) Hxx DEFLECTION TRANSDUCER MOUNTING KITS

NOTE: Consult factory for deflection transducer applications



VULCAN[®]
ON-BOARD SCALES
800 237-0022
www.vulcanscales.com

The Vulcan 2-point rear suspension deflection transducer scale system provides a low cost method to scale many types of trucks. Included are trucks with Haulmax, HN, and other suspension types. In this application the deflection transducers are mounted on the rear axle or suspension only. The scale system provides a gross vehicle weight, typically within 2 to 3 percent.

REPRESENTED BY: