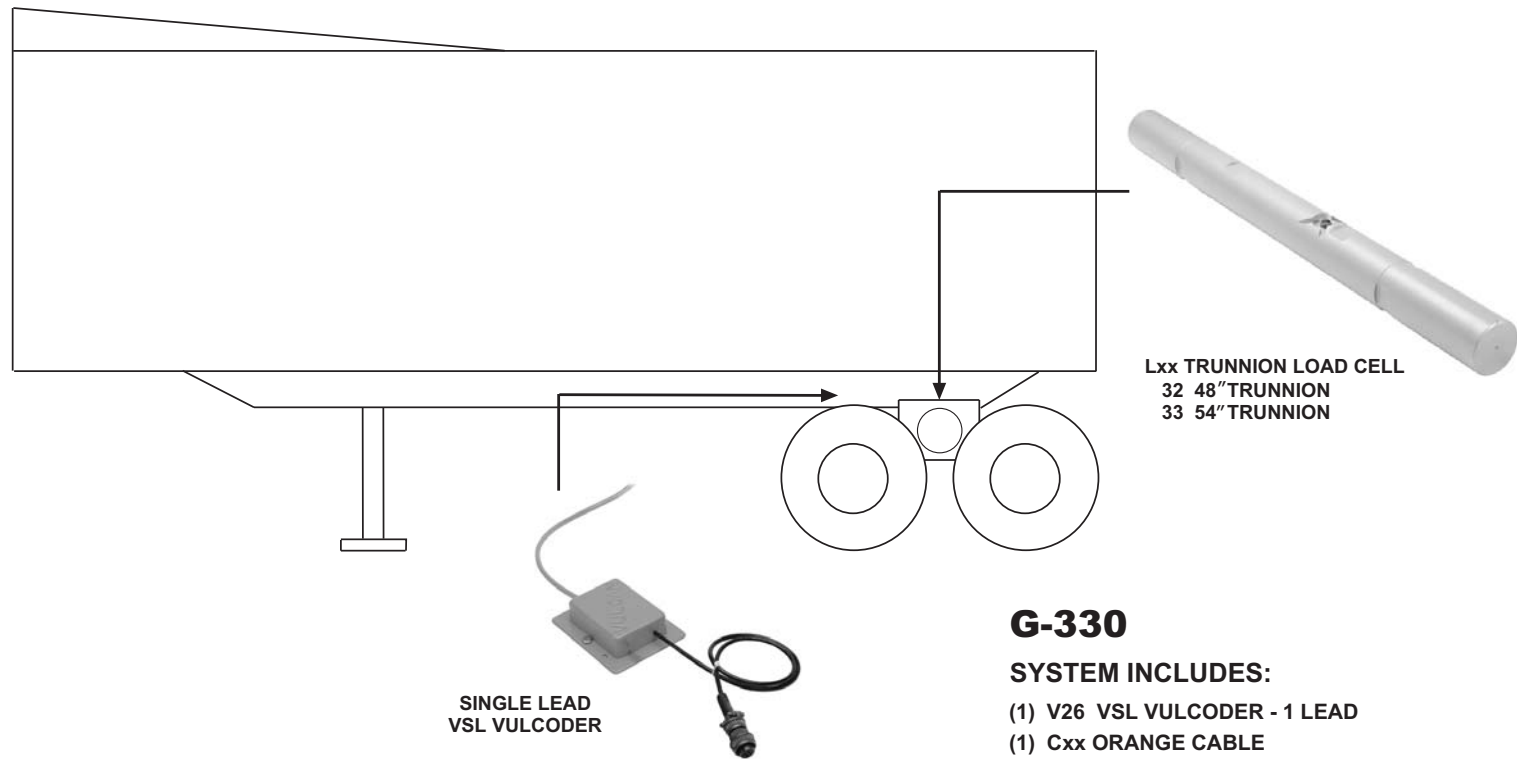


END DUMP / DUMP TRAILER SCALE SYSTEM



G-330

SYSTEM INCLUDES:

- (1) V26 VSL VULCODER - 1 LEAD
- (1) Cxx ORANGE CABLE
- (1) Lxx TRUNNION LOAD CELL

The Vulcan end dump / dump trailer scale system operates reliably in harsh environments and provides an ideal way to obtain axle and/or payload weights for end dump trailers with single point suspensions. Vulcan VSL electronics allow your trailer to drop and hook to any tractor with Vulcan VSL electronics to provide total payload weight.

REPRESENTED BY: