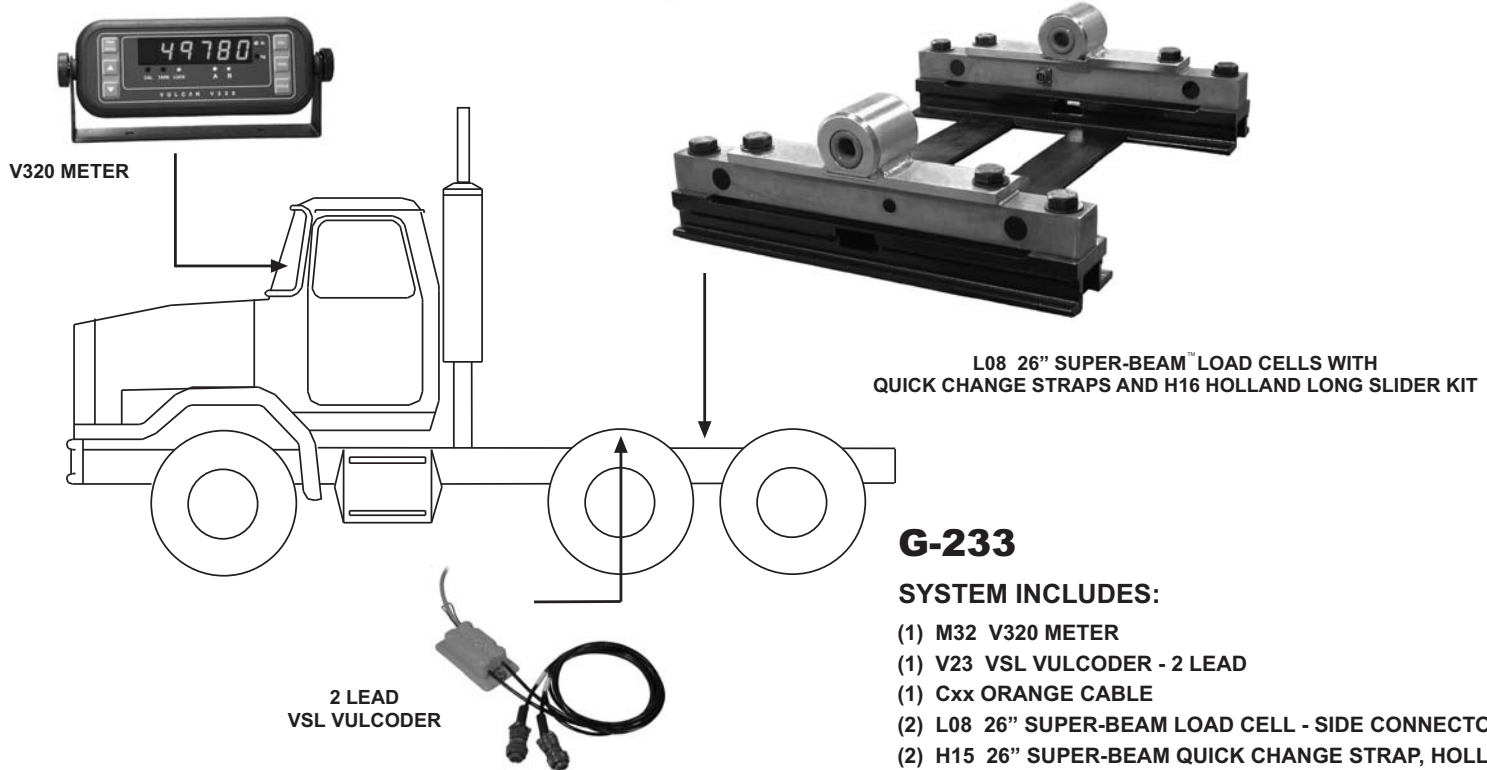


TRACTOR ONLY SCALE SYSTEM

26" SUPER-BEAM™ LOAD CELLS WITH QUICK CHANGE AND LONG HOLLAND SLIDER KIT



G-233

SYSTEM INCLUDES:

- (1) M32 V320 METER
- (1) V23 VSL VULCODER - 2 LEAD
- (1) Cxx ORANGE CABLE
- (2) L08 26" SUPER-BEAM LOAD CELL - SIDE CONNECTOR
- (2) H15 26" SUPER-BEAM QUICK CHANGE STRAP, HOLLAND
- (1) H16 26" SUPER-BEAM SLIDER KIT, LONG HOLLAND



The Vulcan 26" Super-Beam load cells with quick change straps and slider kit for a long Holland fifth wheel provides a proven, accurate, and reliable system to obtain drive axle weights when connected to a trailer. Vulcan VSL electronics allow unlimited drop and hook capabilities to trailers equipped with Vulcan air or spring suspension scale systems without any adjustments.

REPRESENTED BY: