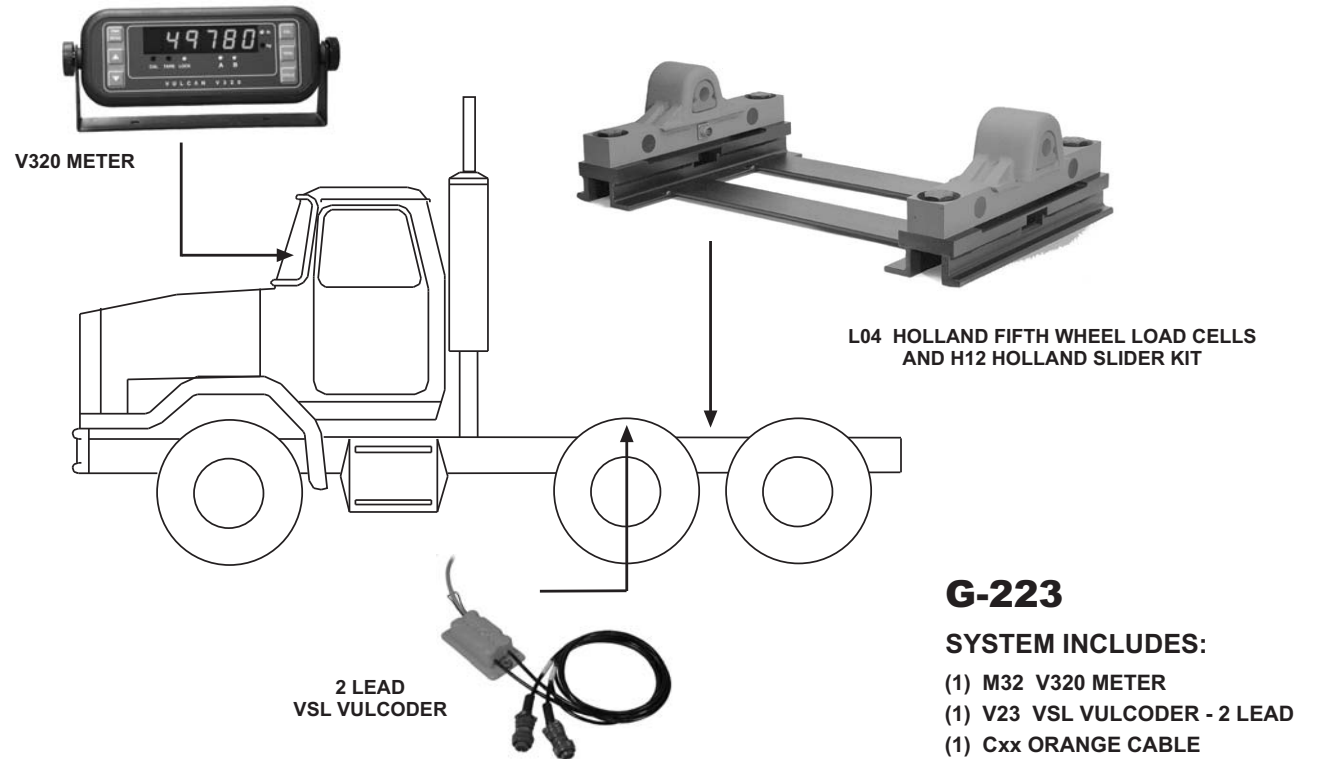


TRACTOR ONLY SCALE SYSTEM

HOLLAND FIFTH WHEEL LOAD CELLS WITH SLIDER



G-223

SYSTEM INCLUDES:

- (1) M32 V320 METER
- (1) V23 VSL VULCODER - 2 LEAD
- (1) Cxx ORANGE CABLE
- (2) L04 FIFTH WHEEL LOAD CELLS
- (1) H12 19" HOLLAND SLIDER KIT

The Vulcan Holland fifth wheel load cells with slider scale system provides a proven, accurate, and reliable system to obtain drive axle weights when connected to a trailer. Vulcan VSL electronics allow unlimited drop and hook capabilities to trailers equipped with Vulcan air or spring suspension scale systems without any adjustments.

REPRESENTED BY: