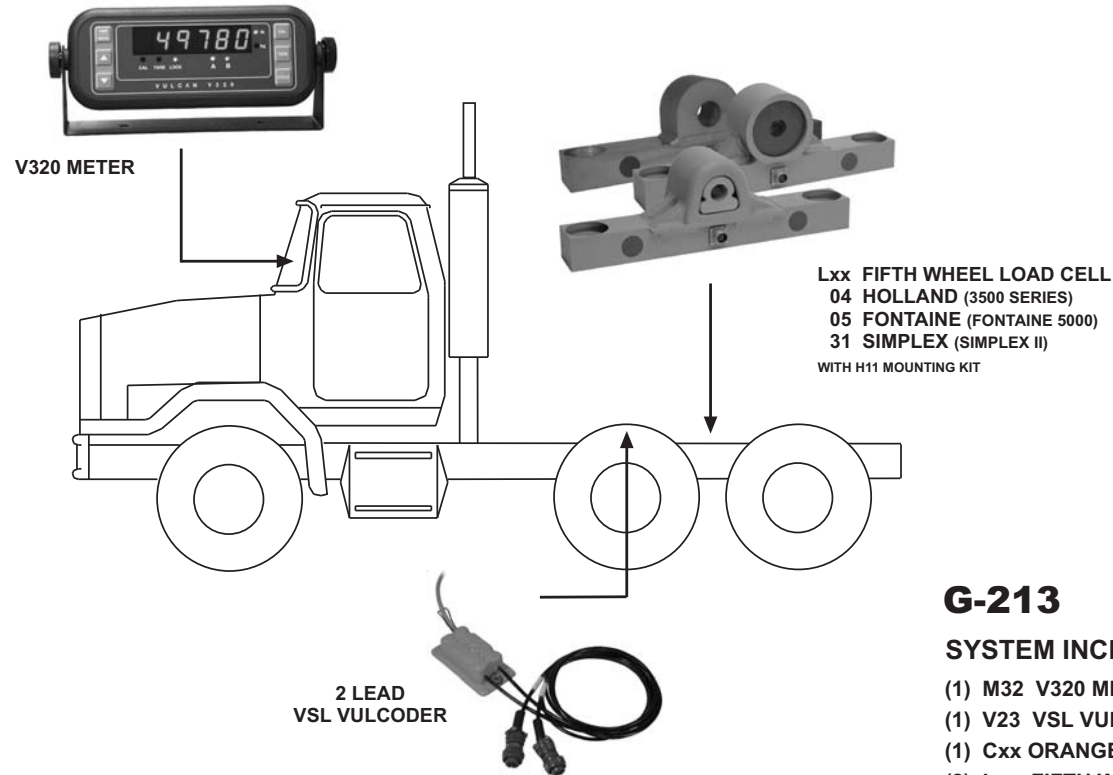


TRACTOR ONLY SCALE SYSTEM

FIFTH WHEEL LOAD CELLS



G-213

SYSTEM INCLUDES:

- (1) M32 V320 METER
- (1) V23 VSL VULCODER - 2 LEAD
- (1) Cxx ORANGE CABLE
- (2) Lxx FIFTH WHEEL LOAD CELLS
- (2) H11 19" FIFTH WHEEL MOUNTING KITS

The Vulcan fifth wheel load cell tractor scale system provides a proven, accurate, and reliable system to obtain drive axle weights when connected to a trailer. Vulcan VSL electronics allow unlimited drop and hook capabilities to trailers equipped with Vulcan air or spring suspension scale systems without any adjustments.

REPRESENTED BY: