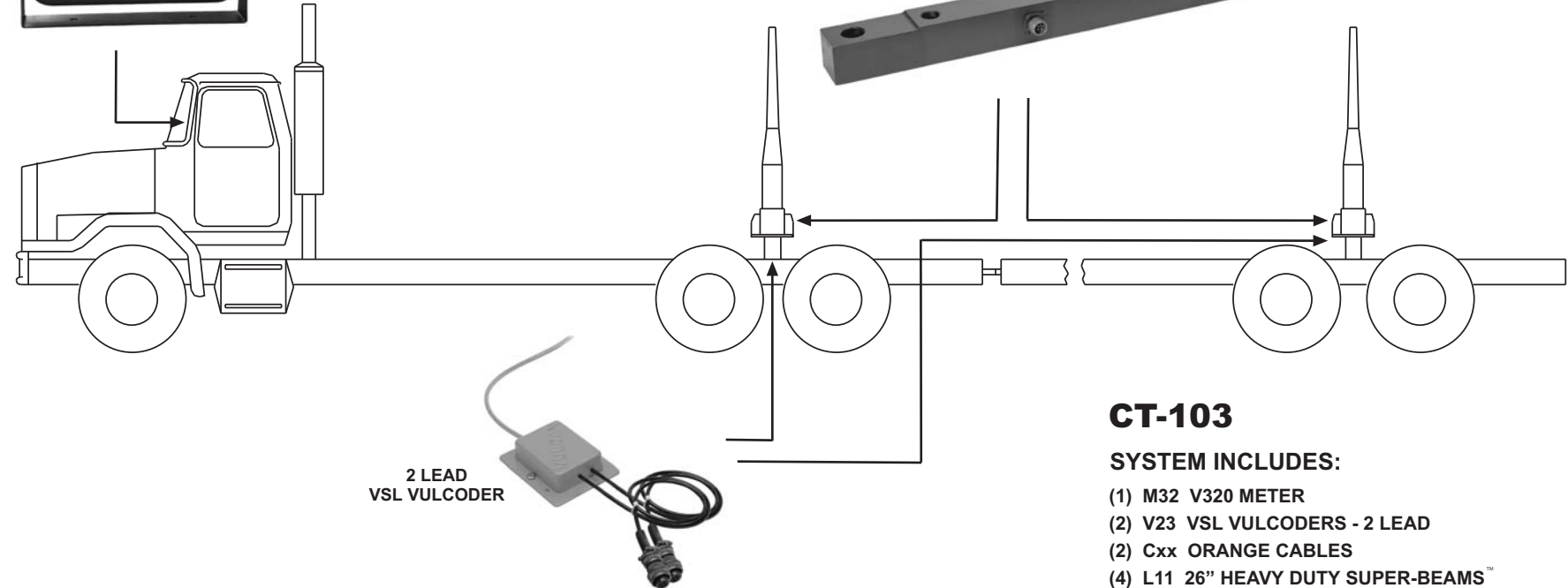


LONG LOGGER SCALE SYSTEM

V300 ELECTRONICS



V320 METER



26" HEAVY DUTY SUPER-BEAM™
WITH H13 MOUNTING KIT

2 LEAD
VSL VULCODER

CT-103

SYSTEM INCLUDES:

- (1) M32 V320 METER
- (2) V23 VSL VULCODERS - 2 LEAD
- (2) Cxx ORANGE CABLES
- (4) L11 26" HEAVY DUTY SUPER-BEAMS™
- (4) H13 26" SUPER-BEAM™ MOUNTING KITS

The Vulcan long logger scale system uses proven technology to give you the reliability and accuracy you expect. Vulcan's L11 26" Heavy Duty Super-Beam load cells are the established standard for excellence in the logging industry. Vulcan VSL electronics allow unlimited mixing of trucks and trailers without any adjustments.

REPRESENTED BY:



VULCAN[®]
ON-BOARD SCALES
800 663-0854
www.vulcanscales.com